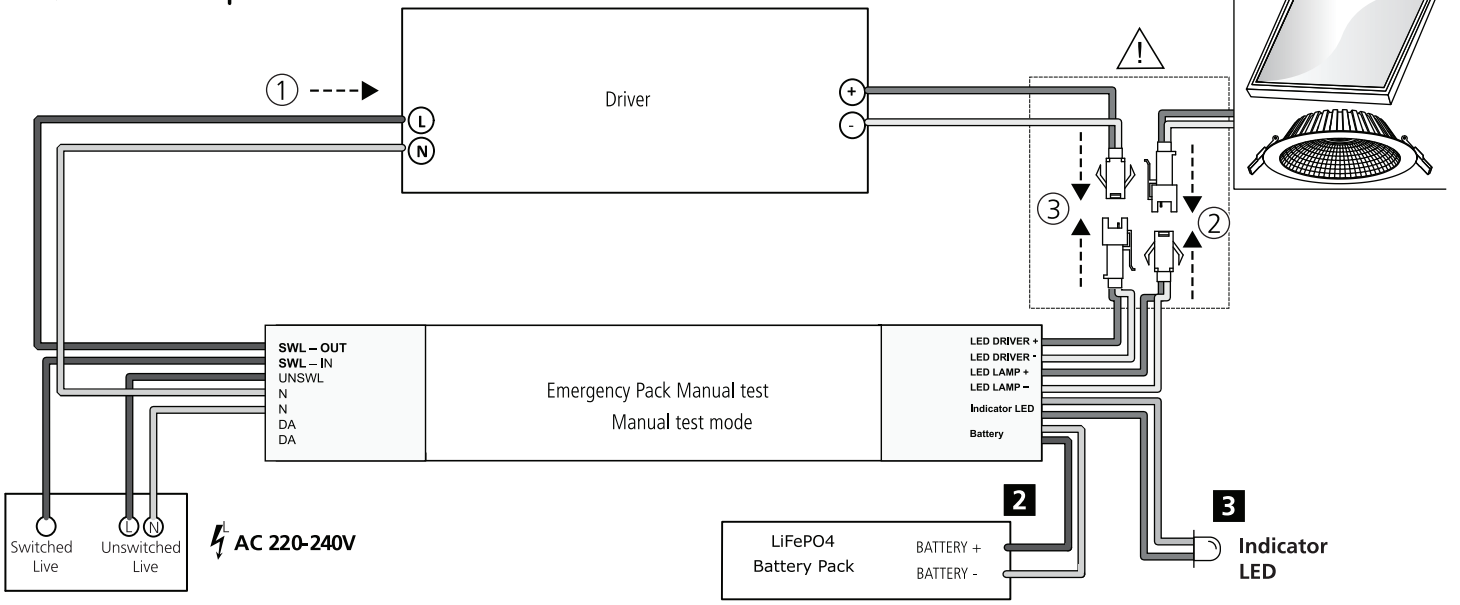
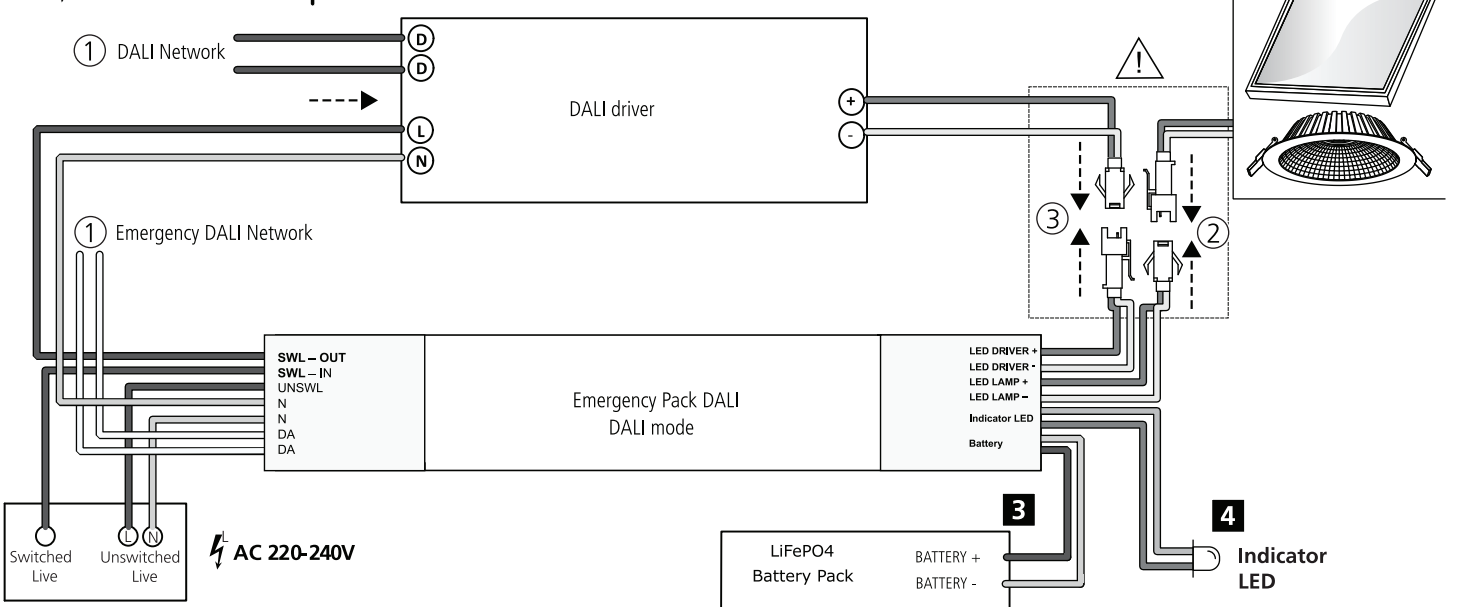


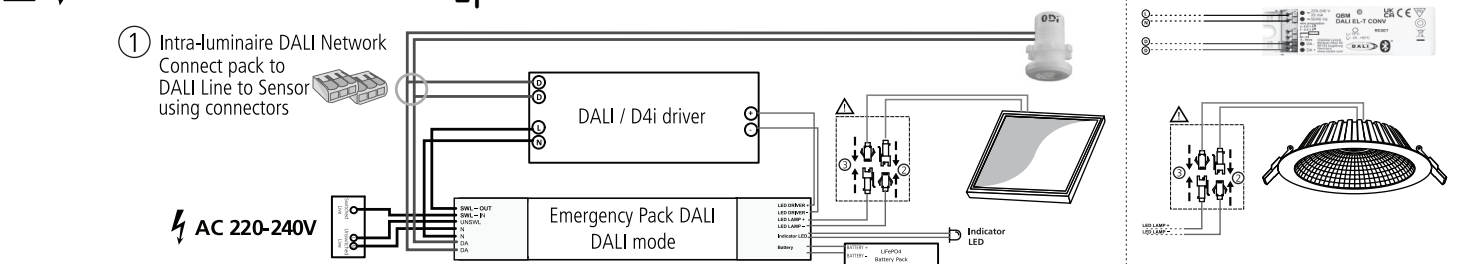
**1a** AC 220-240V +



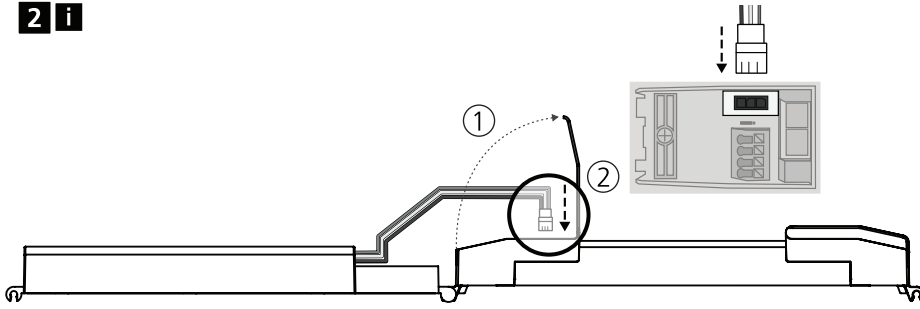
**1b** AC 220-240V + DALI +



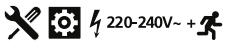
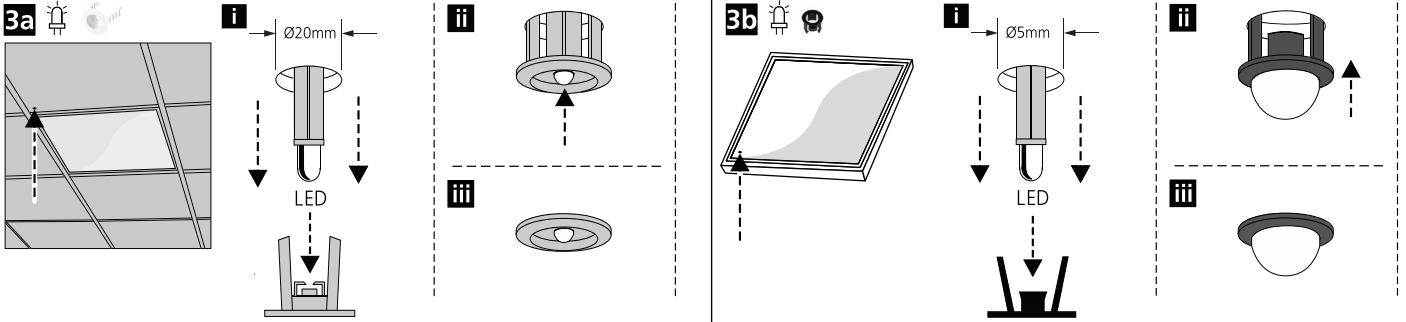
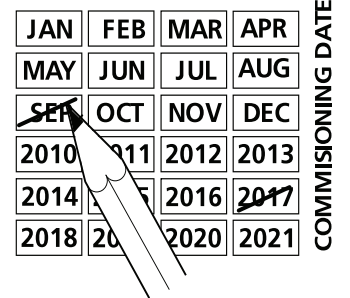
**1c** AC 220-240V + SSA Sensor/Controller+



2 i

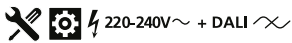


2 ii



220-240V~ + ⚡

LED INDICATION		STATUS		COMMENT
LED Colour	Status	Flashing		
		ON	OFF	
Green		∞		✓ Normal / Charging battery
			∞	⚠ Off / Battery fault / Emergency Mode / Standby



220-240V~ + DALI

LED INDICATION		STATUS		COMMENT
LED Colour	Status	Flashing		
		ON	OFF	
Green		∞		✓ System OK / Standby Mode / Commissioned
		0.1 sec	0.1 sec	Functional Test in Progress
		1.0 sec	1.0 sec	Duration Test in Progress / Commissioning in progress
		0.5 sec	4.0 sec	Inhibit mode (initiated by DALI controller)
Red		∞		⚠ Open circuit / Short circuit / LED failure / Lamp fault
		0.1 sec	0.1 sec	⚠ Charging failure
		1.0 sec	1.0 sec	⚠ Battery failure (including failed DT/FT)
Red/Green			∞	⚡ Emergency Mode

Code	Description	V <sub>out</sub>	Connector	Type
9146600	LSF EM PACK MT 6-54V LIFEP04 3H 3W	6-54	N	N/A
9146601	LSF EM PACK DAST 6-54V LIFEP04 3H 3W	6-54	N	N/A
9146602	LSF EM PACK MT 6-54V LIFEP04 3H 3W RC	6-54	Y	C2501-SM2A
9146603	LSF EM PACK DAST 6-54V LIFEP04 3H 3W RC	6-54	Y	C2501-SM2A
9146604	LSF EM PACK MT 50-300V LIFEP04 3H 3W RC	50-300	Y	C2501-SM2A
9146605	LSF EM PACK DAST 50-300V LIFEP04 3H 3W RC	50-300	Y	C2501-SM2A